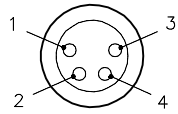
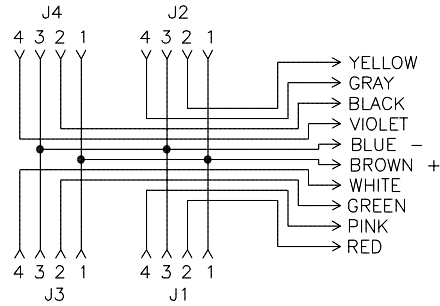


FEMALE END VIEW



(J1-J4)

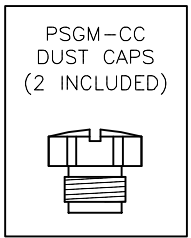
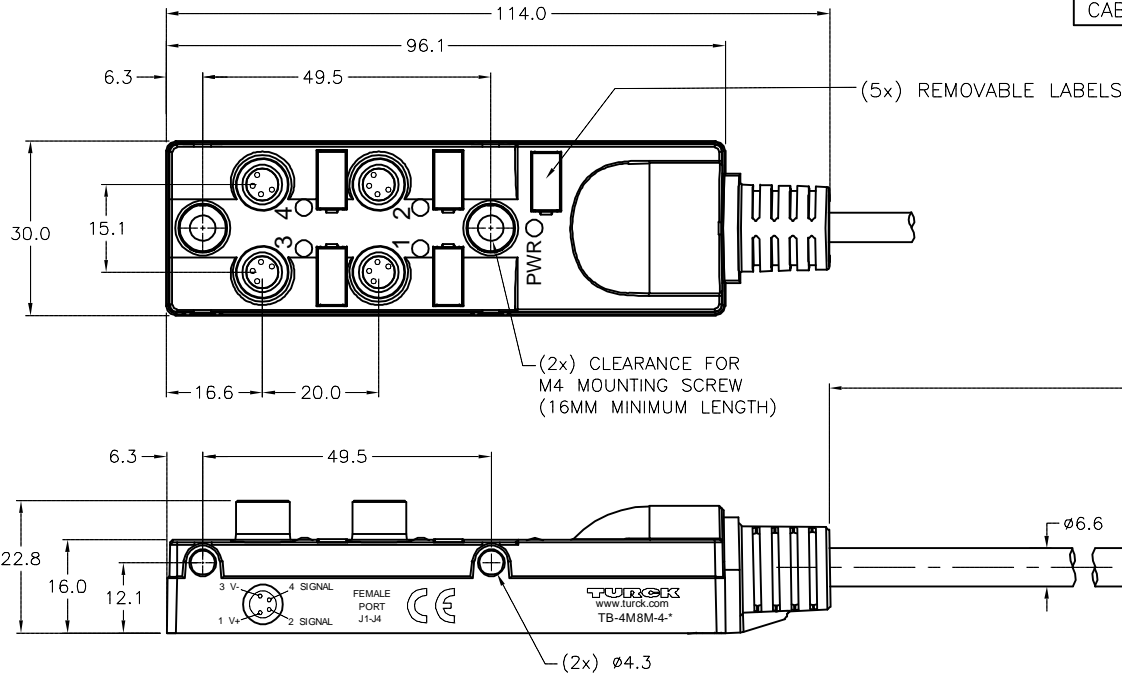
WIRING DIAGRAM



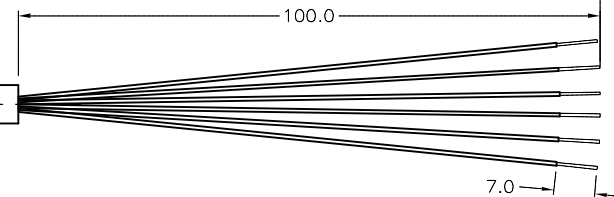
P1

SPECIFICATIONS

HOUSING MATERIAL/COLOR	NYLON/BLACK
RECEPTACLE MATERIAL/PLATING	BRASS/NICKEL (J1-J4)
CONTACT CARRIER MATERIAL	NYLON (J1-J4)
O-RING MATERIAL	FKM/FPM
CONTACTS MATERIAL/PLATING	BRASS/GOLD
OPERATING VOLTAGE	30 VDC
OPERATING CURRENT	2.0 A PER SIGNAL/6.0 A TOTAL
PROTECTION CLASS to DIN 40050	IEC IP67, IP68, IP69K: ONLY WHEN ALL RECEPT. ARE COVERED WITH PLUGS OR CONNECTED
OPERATING TEMPERATURE	-40°C to +85°C (-40°F to +185°F)
CABLE DATA	
NUMBER OF CONDUCTORS	10x24 AWG
CONDUCTOR INSULATION MATERIAL	PVC
CABLE JACKET MATERIAL/COLOR	PVC/BLACK



* METERS
SEE NOTE 1



CABLE LENGTH	TOLERANCE*
ALL LENGTHS	+ 4% (OR 50mm) OF LENGTH - 0% (OR 0mm) OF LENGTH WHICHEVER IS GREATER
STRIP LENGTH	TOLERANCE*
0-7mm	±0.5mm
8-29mm	±1.0mm
30-49mm	±2.0mm
50-69mm	±3.0mm
70-100mm	±4.0mm
OVER 100mm	±5.0mm

* UNLESS OTHERWISE SPECIFIED

NOTES:

1. "*" INDICATES CABLE LENGTH IN METERS. CONTACT TURCK TO ORDER SPECIFIC LENGTHS.

SOURCE DRAWING - FOR REFERENCE ONLY

RELATED DOCUMENTS 1. 2. 3. 4.	3RD ANGLE PROJECTION 	THIS DRAWING IS CONFIDENTIAL AND THE PROPERTY OF TURCK INC. USE OF THIS DOCUMENT WITHOUT WRITTEN PERMISSION IS PROHIBITED.		<p>3000 CAMPUS DRIVE MINNEAPOLIS, MN 55441 1-800-544-7769 (763) 553-7300 (763) 553-0708 fax www.turck.us</p> <p>TURCK</p>	
		DRFT NF	DATE 11/08/17		
MATERIAL SEE SPECIFICATIONS	ALL DIMENSIONS DISPLAYED ON THIS DRAWING ARE FOR REFERENCE ONLY	APVD L.F.	SCALE 1=1.3	IDENTIFICATION NO.	
FINISH SEE SPECIFICATIONS		UNIT OF MEASUREMENT MILLIMETERS		REV B	
		DO NOT SCALE THIS DRAWING		FILE: 777038940	SHEET 1 OF 1

B	ADDED CE	ER	01/14/19	68151
REV	DESCRIPTION	BY	DATE	ECO NO.